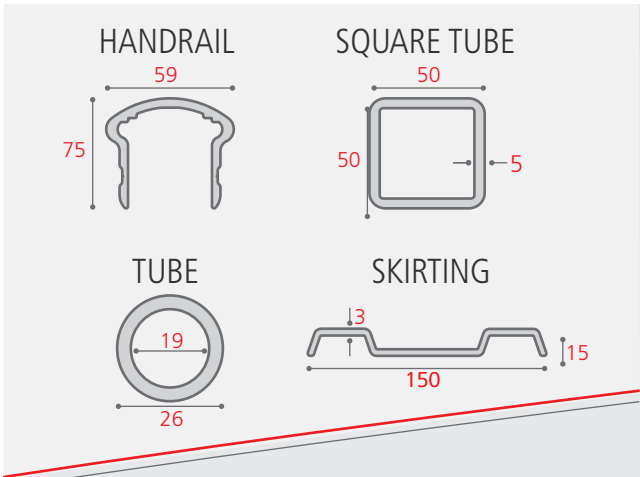
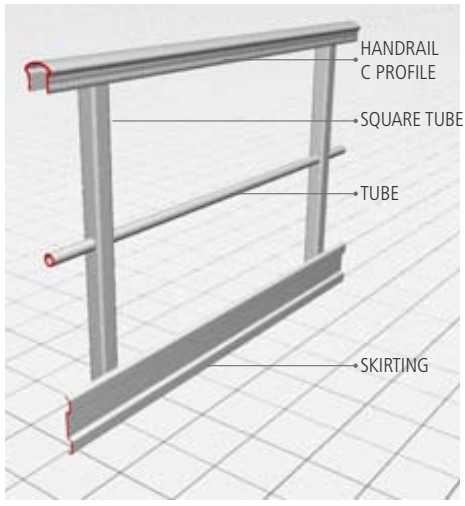




Handrail System PROFILES

PROFILE	DIMENSION
HANDRAIL	59 x 75
SQUARE	50 x 50 x 5
C PROFILE	60 x 60 x 5
TUBE	26 x 19
SKIRTING	150 x 15 x 3

Profiles in Stock **
 Profiles made to order
 Nominal dimension: mm



TRIGLASS® HANDRAIL SYSTEM



These composite profiles represent part of Top Glass standard shapes range and some of them are in stock ready for immediate delivery.

In case of specific needs in terms of mechanical, chemical and fire performances, a wide combination of resins, colors and reinforcements are available for a customized production.

Other tools can be designed and made by Top Glass to produce any other dimension.

Top Glass is certified ISO 9001.

Fences PROFILES

TUBE 	SQUARE TUBE 
40 x 32,6	50 x 50 x 5 x 5
40 x 35	50 x 25 x 3 x 3
50 x 40	58 x 25 x 3 x 3
50 x 42	60 x 30 x 2,5 x 3
60 x 50	70 x 70 x 4 x 4
60 x 54	70 x 70 x 5 x 5
76 x 70	73 x 25 x 3 x 3,5
80 x 74	90 x 90 x 8 x 8

TRIGLASS® FENCES PROFILES

Top Glass manufactures fiberglass profiles for fences, which are particularly suitable for very large areas where quick installation is required and no specific fixing systems are needed.

They are also very good for creating a permanent or temporary boundary around very extensive open spaces, they do not need to be earthed and they do not require any of the other care and maintenance procedures.

Due to their insulating properties and the protection it provides from electromagnetic discharges.

Since it is totally non-magnetic and radio transparent, it is also very suitable for use in airports or radio stations, where even the smallest interference could compromise the security of the places themselves.

NOTES:

** FOR ANY FURTHER TECHNICAL DETAILS REF. TO PRODUCT SHEETS NO. 8 AND 9

